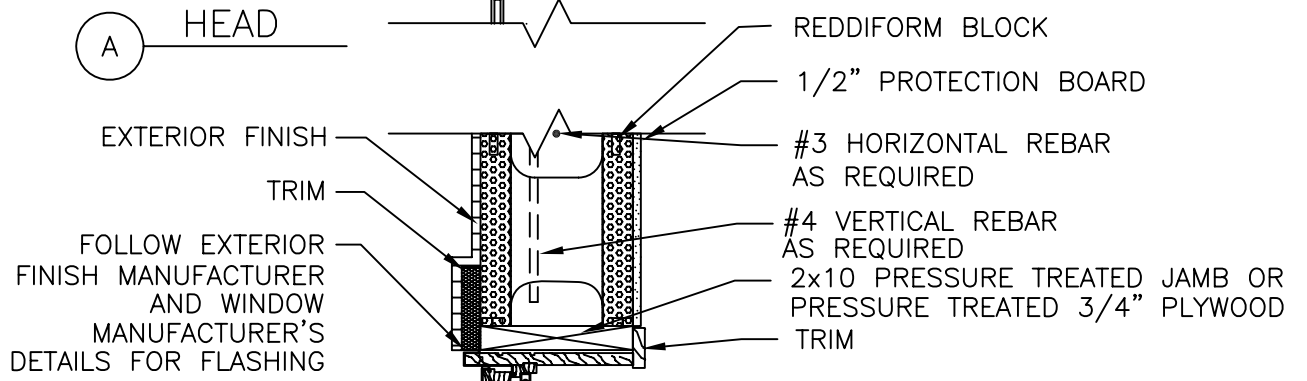


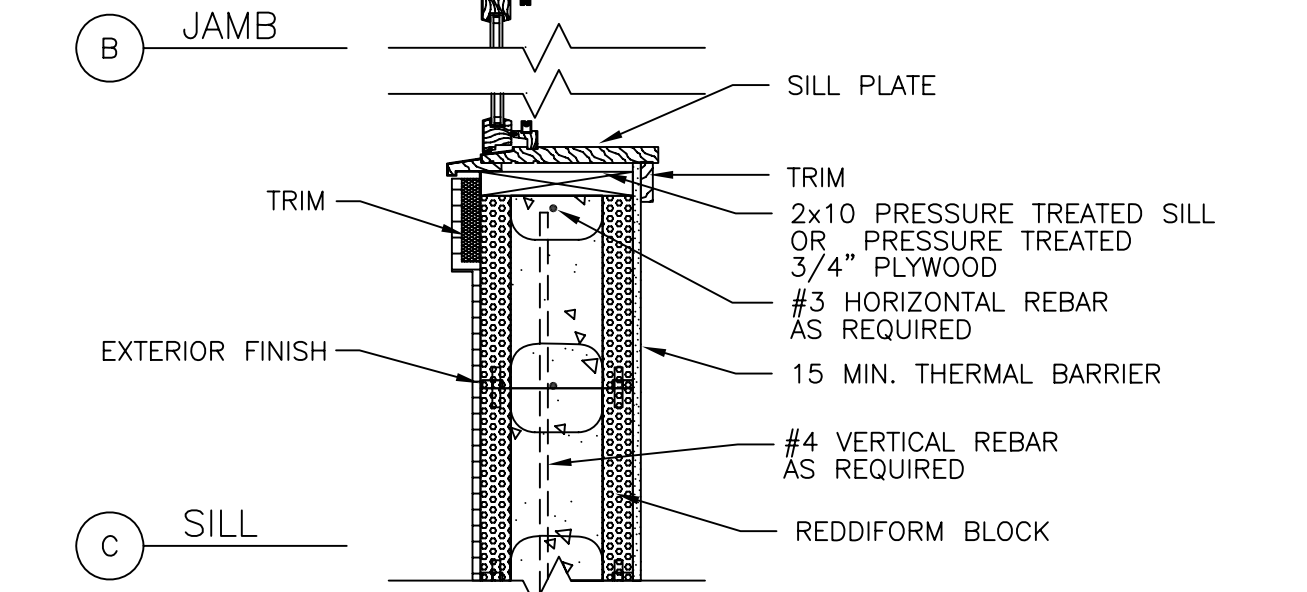
(A)

HEAD



(B)

JAMB



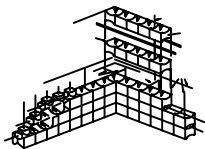
(C)

SILL

HEAD, JAMB, & SILL DETAIL
W/ EXTERIOR FINISH

(D3)

1" = 1'-0"



ReddiForm, Inc.

DUE TO VARIANCES IN LOCAL CODES, ALL DETAILS SHALL BE CONSTRUCTED IN ACCORDANCE WITH LOCAL CODES REGARDLESS OF DETAIL CONSTRUCTION SHOWN IN DRAWING. REDDI-FORM RESERVES THE RIGHT TO CHANGE INFORMATION SHOWN WITHOUT NOTICE.

DRAWN BY:	CHECKED BY:
SCALE: 1"=1'-0"	
DATE: 6/25/96	
JOB NUMBER	SHEET
REDDI-FORM	D3